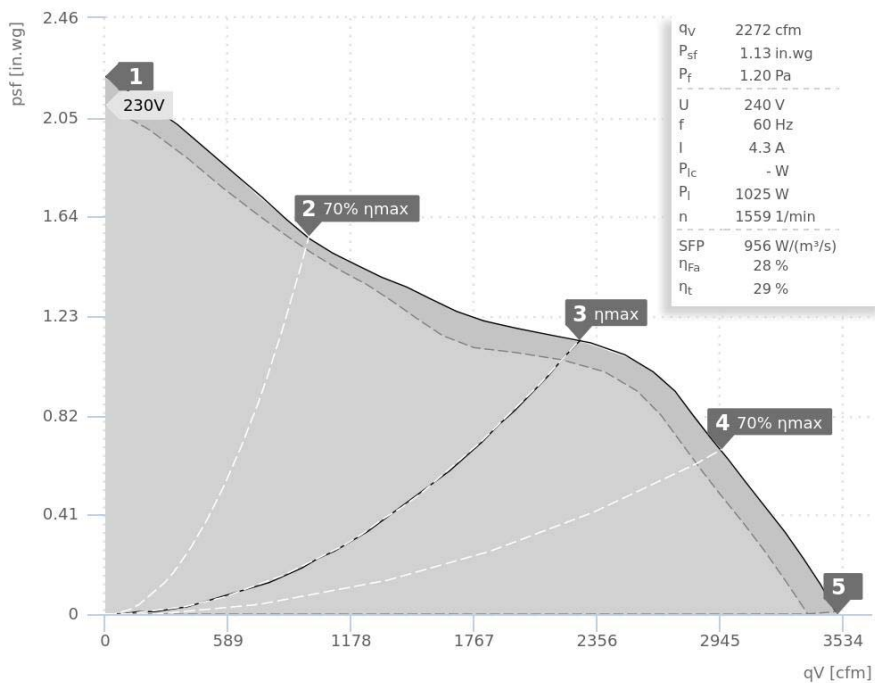


DATA SHEET

20" ACF | 147959



Operating Point		1	2	3	4	5
Current I	A	4,1	3,6	4,3	4,7	4,7
Power consumption P ₁	W	985	858	1025	1127	1123
RPM n	1/min	1562	1618	1561	1531	1540
SPL inlet L _{WA5}	dB(A)	-	-	-	-	-
SPL outlet L _{WA6}	dB(A)	-	-	-	-	-
SPL casing break out L _{WA2}	dB(A)	-	-	-	-	-

Sound power (L _W) dB(A)		Medium Frequency Band								
		Σ	63	125	250	500	1k	2k	4k	8k
Inlet	L _{WA5}	-	-	-	-	-	-	-	-	-
Outlet	L _{WA6}	-	-	-	-	-	-	-	-	-
Casing	L _{WA2}	-	-	-	-	-	-	-	-	-

20" ACF 147959	
Voltage U _N	240 V 1~
Current I _{max}	5,0 A
Ambient temperature t _A	40 °C
Medium temperatures t _M	40 °C
Speed Control	V
Motor protection	TAO
Insulation class motor	F
Weight	0,0 kg
Poles	4
IP motor	IP54
IP terminal box	-
Min. operating temperature	-25 °C

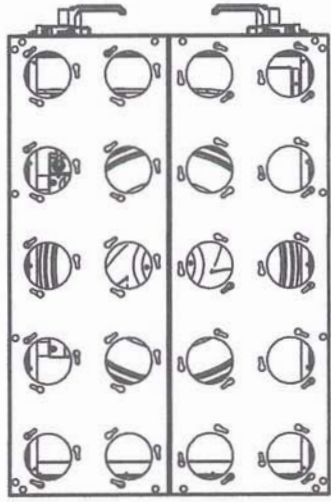
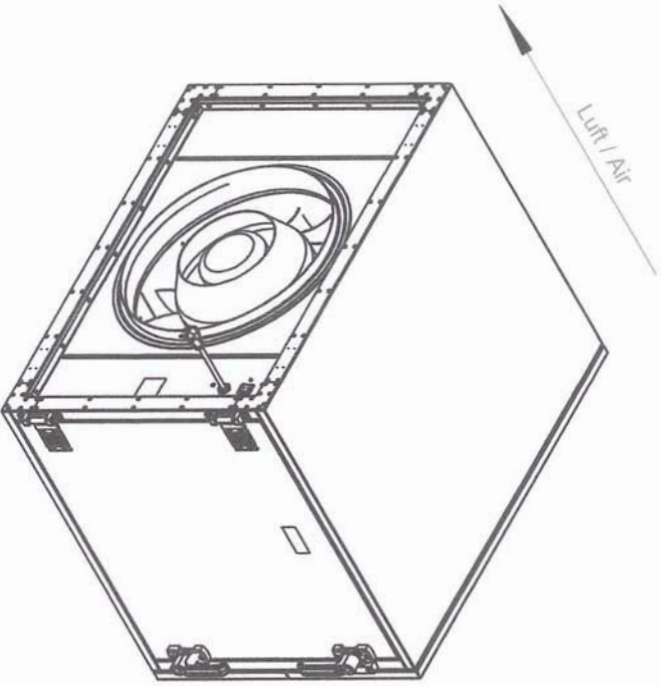
Ruck Air Movement - Master Series by



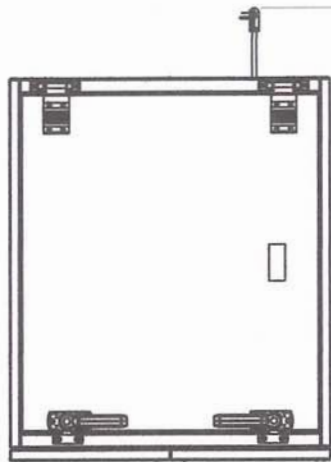
2082 58th Ave. Circle E.
Bradenton, FL 34203

Phone: 941.739.0879
Fax: 941.739.0881

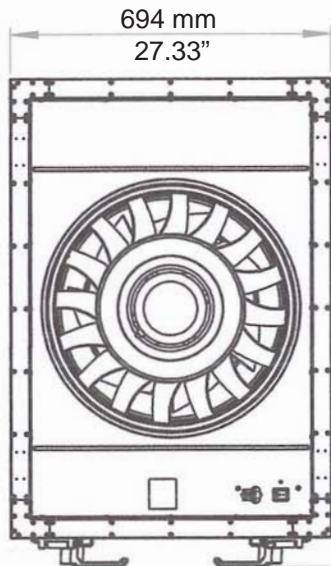
www.mastervent.com marion.pye@mastervent.com



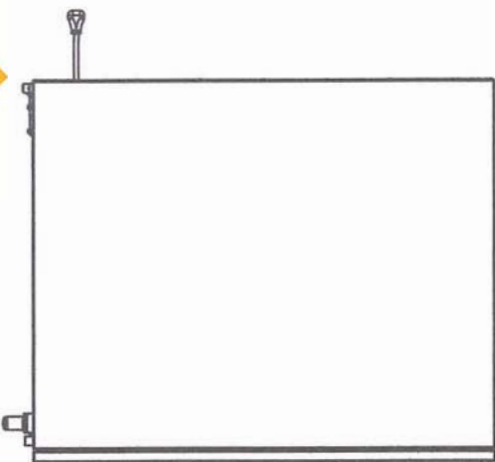
max 1800 mm
70.87"



627 mm
24.69"



1061 mm
41.87"
996 mm
39.22"



MASTER VENTILATION
PRODUCTS, INC.

2082 58th Ave. Circle E.
Bradenton, FL 34203

Phone: 941.739.0879
Fax: 941.739.0881

www.mastervent.com
marion.pye@mastervent.com

20" ACF 147959